

---

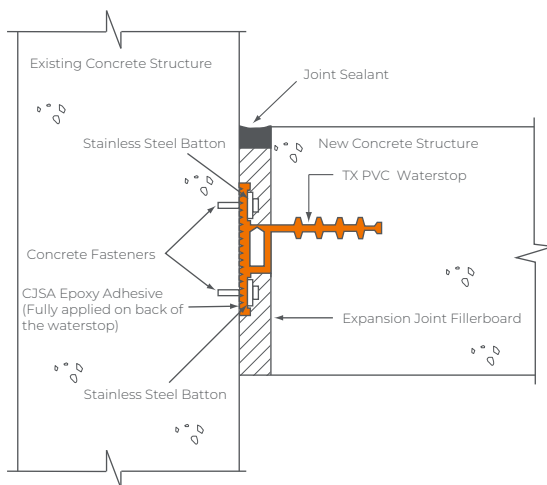
## TX PVC WATERSTOP INSTALLATION METHOD GUIDELINES

---

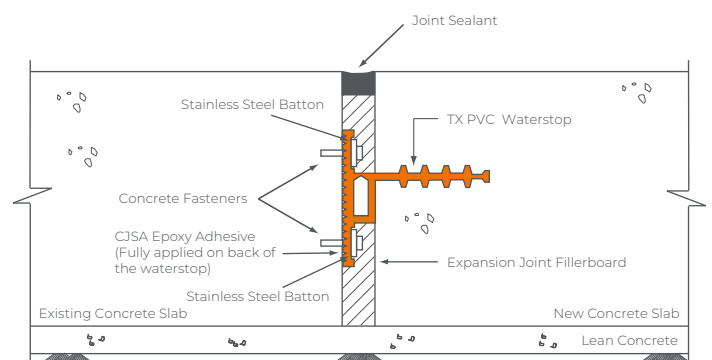
1. Prepare the existing concrete surface by grinding away any rough or irregular concrete so it is free of any protrusions. The area to be prepared is to be 150mm wide by the length of the waterstop section.
2. Thoroughly clean the concrete surface with a wire brush, high pressure air or high pressure water jet. There must be no foreign matter, dirt, laitance or grease on the surface. The concrete surface accepting the TX PVC Waterstop must be good, sound and solid.
3. Prepare the TX PVC Waterstop for installation by joining the appropriate length(s) and intersections at site. For complete job site joining /welding method, refer to our PVC Waterstop Job Site Guideline.
4. Once the TX PVC Waterstop is fully assembled and ready to be installed, check that all dimensions and directional changes are located correctly.
5. Using the pre-drilled (@150mm spacings) stainless steel batten bars 3.0mm (T) x 20mm (W) x 3.0m (L) as a template against the TX PVC Waterstop, pre-drill the concrete fastener holes into the concrete surface where the waterstop is going to be positioned. The diameter and length of the holes to be drilled are to be determined by the size of the fasteners to be used.
6. With the use of a marker pen, mark on the concrete surface, the centre-line of the pre-drilled holes where the waterstop is being positioned, as this can be used as a reference marker once the waterstop is being installed.  
  
Note: There are two rows of stainless steel battens to be used, one on each outside rebated section of the waterstop profile. Refer to the drawing diagram on page 2.
7. Clean away the concrete dust from the fastener holes and from the concrete surface area surrounding where the fastener holes have been drilled.
8. Prepare and mix CJSA Epoxy Adhesive per mixing instructions. Ensure the amount mixed is not more than what can be installed within the epoxy's pot life. The concrete surface for application of the epoxy must be clean and dry.
9. Apply the epoxy onto the prepared concrete surface 3-5mm (thick) by 120mm (wide) with a steel trowel. Make sure that epoxy is thoroughly trowelled into the concrete surface and there are no areas left without any coverage. Apply a 2mm coat to the back of the TX PVC Waterstop making sure that all the grooves are fully filled with CJSA Epoxy. The TX PVC Waterstop must be positioned before any of the epoxy cures.
10. Take hold of the TX PVC Waterstop, and with assistance, start from one end and position the TX PVC Waterstop in line with the epoxy and the pre-drilled fastener holes. With the top batten, insert it in position in the provided recess on the waterstop followed by the fasteners, making sure that TX PVC Waterstop is placed correctly and aligned accordingly. With consistent hand pressure, press the TX PVC Waterstop firmly into position while moving along the length of the waterstop to help remove any air pockets from between the waterstop and the concrete surface.

11. Once secured by the 1st batten, insert the 2nd batten in the recess provided and insert fasteners to suit. Tighten all the fasteners accordingly. Continue this procedure until all of the TX PVC Waterstop is installed along the required length. Allow the epoxy to cure for 24 hours before placing the new concrete section.
12. If the joint is to be an expansion or isolation joint, then install CJSA recommended expansion joint fillerboard, on either side of the waterstop. Contact CJSA for their recommended expansion joint fillerboard for the appropriate location/project.
13. Tie the protruding leg section of the TX PVC Waterstop into position (new concrete section to be poured) with the use of wire ties to the steel reinforcement. Pre-punched eyelets (spaced at 150mm) positioned along the outer section of the waterstop are designed for this purpose.
14. All associated ancillary products to be used in the installation of the TX PVC Waterstop are to be supplied by CJSA.
15. Items supplied by CJSA required for installation are as follows:
  - TX PVC Waterstop (State profile type)
  - Stainless Steel Batten 3.0mm (T) x 20mm (W) x 3.0mt (L).
  - Stainless Steel Fasteners 6.0mm (Diam.) x 55.00mm (L) - (M6 x 55)
  - CJSA Epoxy Adhesive 5.0kg kit.
  - PVC Waterstop Intersection pieces (if required).

## TYPICAL INSTALLATION DETAIL TO EXISTING STRUCTURE



**EXISTING WALL TO NEW SLAB CONNECTION  
(EXPANSION/ISOLATION JOINT)**



**EXISTING BASE SLAB TO NEW BASE SLAB CONNECTION  
(EXPANSION/ISOLATION JOINT)**

The information and the recommendations relating to the application and end use of this product are given in good faith and are based on the information provided by the manufacturer of the product and/or the Company's current knowledge and experience in connection with the product when properly stored, handled and applied under normal conditions and no liability of final function at the job site is assumed. In practice, the differences in materials substrates and actual site conditions are such that no warranty in respect of merchantability of or fitness for particular purpose, nor any liability arising out of any legal relationship whatsoever, can be inferred either from this information, or from any written and/or oral recommendations, or from any other advice offered by the Company. The Company also has no express or implied knowledge of any particular purpose for which the product is required and any such information given will not be taken into account in the supply of this product. No responsibility or liability by the Company will be accepted for misuse, misreading or derivation from recommended guidelines in respect of this product and the user shall determine the suitability of the product for his intended use and assume all risks and liability in connection therewith. The information contained in these documents may change at any time without notice. Any use of this product in any application should be approved as suitable for use/application by the Design Engineer and Project Manager.